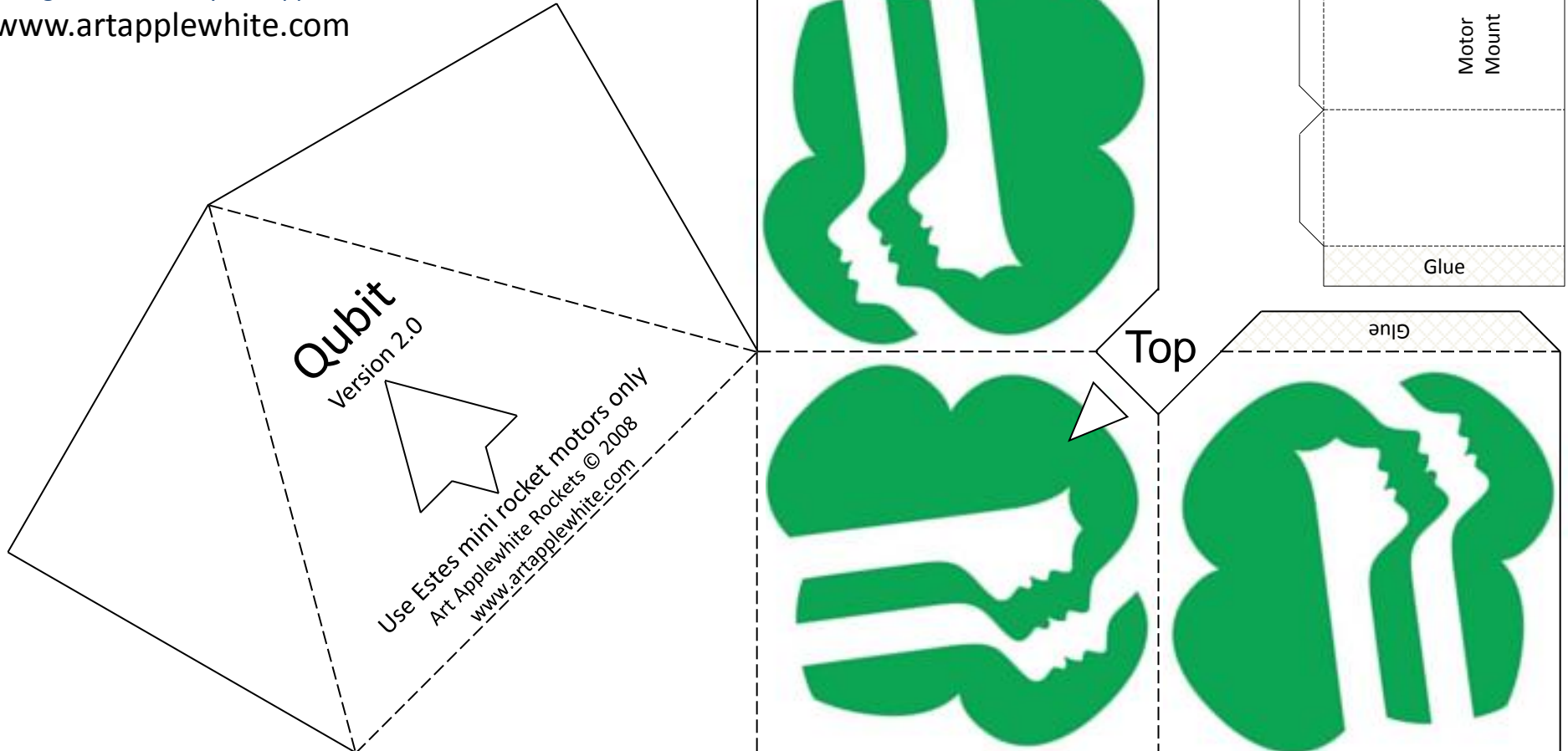
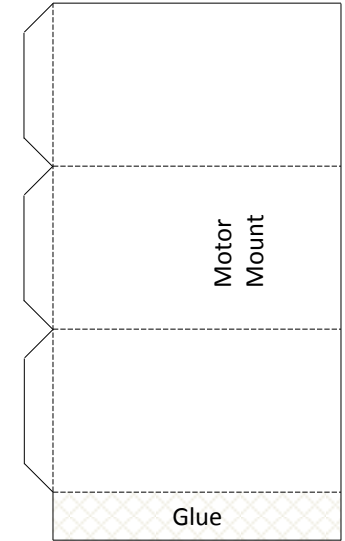
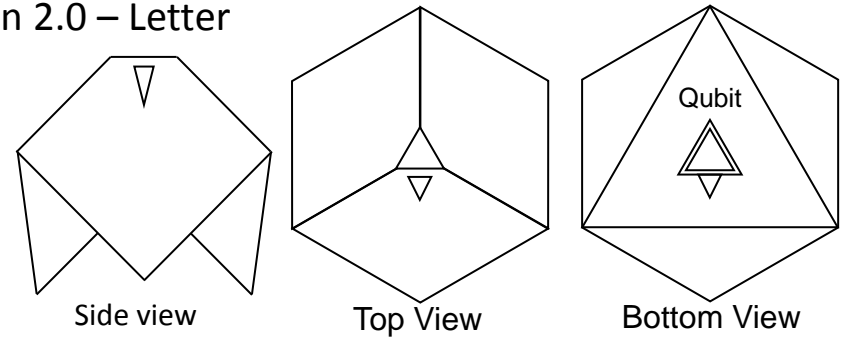


13mm Girl Scout Qubit – Version 2.0 – Letter

- Using a ruler as a guide, cease all the dashed lines by pressing down hard with a ballpoint pen.
- Cut out the holes for the launch rod and motor mount with a sharp craft knife.
- Cut out the Motor Mount, cut only on the solid lines and fold on the dashed lines.
- Form the Motor Mount into a 3 sided tube and glue together.
- Cut out the main body of the Qubit
- Fold square sections away for the printed side of the paper.
- Form the 3 square sections into a corner shape and glue together.
- Fold the triangular sections of the Bottom toward the printed side of the paper.
- Spread glue evenly over the back (non-printed side) of the three triangular sections.
- Match up the triangular sections of the Bottom with the pointed ends of the squares of the Top.
- Make use they are flat against each other.
- Put glue on the small tabs at the top end of the MOTOR MOUNT.
- Slide the glued end of the MOTOR MOUNT into the hole in the Bottom until it make contact with the inside of the Top.
- Put a fillet of glue around the joint between the MOTOR MOUNT and the Bottom.
- To fly, slide a motor into the MOTOR MOUNT. Use Estes mini motors only.

All rights reserved by Art Applewhite Rockets © 2008

www.artapplewhite.com



Use Estes mini rocket motors only
 Art Applewhite Rockets © 2008
www.artapplewhite.com